

BNS200

REF. 5105

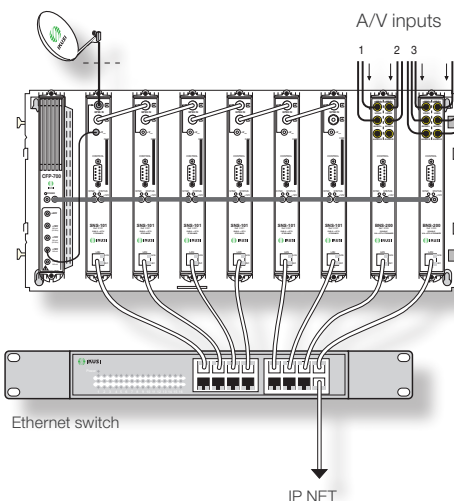


- Double V/A to IP Streamer.
- Output: 1 or 2 IP-encapsulated TV broadcasts with individual multicast addresses.
- Filtering of information contained in the MPEG-2 tables.
- UDP and RTP transmission protocols.
- Web interface for module configuration.
- Alarm information SNMP agent.
- SAP and SDP protocols to facilitate automatic programme selection in the set-top box and to provide programme information to external servers.

BNS-200

Inputs	(2x) Video (CVBS - PAL, SECAM, NTSC), (2x) Audio (ANALOGUE - Mono, ST/Dual)	
SNMP support - traps	Yes	
Input Section (V/A)		
Video input level	Vpp	(2x) 0.7 – 1.4
Video input impedance	Ω	(2x) 75
Max video resolution	PAL: 720 x 576, NTSC: 720 x 480	
Audio input level	Vpp	(2x) 0.5 – 4.0
Audio input impedance	Ω	(2x) > 600
Codificación MPEG		
Video coding	MPEG-2 MP&ML, MPEG-4 ASP	
Audio coding	MPEG-1 Layer II	
Output Section (IP)		
Standard	IEEE 802.3 10/100 Base T	
Bit rate	Mbps	30
Transmission protocols	UDP/RTP	
No. of simultaneous streams	2	
Multicast	Yes	
Connectors		
Video connection	(2x) female RCA	
Audio connection	(4x) female RCA	
DC connection	banana socket	
Configuration	RS 232/DB-9	
Ethernet output	RJ-45	
General		
Supply voltage	Vdc	+12
Consumption	mA	640
Indicator LEDs	ON - STATUS - LINK - ACT	
Operating temperature	$^{\circ}\text{C}$	0 – +45
Dimensions	mm	230 x 195 x 32

The module is packed with:
- 1 DC plug bridge, 53 mm length, for connection of +12 Vdc voltage.



- Ejemplo de cabecera mixta BNS/SNS para cuatro fuentes locales audio/vídeo y seis transpondedores TV satélite digital. Contiene 2 BNS-200, 6 SNS-102 y 1 alimentador CFP-500, instalados todos ellos en 1 base-soporte BAS-900. Esta estación puede suministrar a la red IP hasta 48 cadenas TV (8 cadenas por streamer SNS) más 4 emisiones locales TV (2 de sonido mono y 2 sonido estéreo).

SEDE CENTRAL

IKUSI - Ángel Iglesias S.A. · Pº Miramón, 170 · 20014 San Sebastián · SPAIN
Tel.: +34 943 44 88 00 · Fax: +34 943 44 88 20 · television@ikusi.com · www.ikusi.tv

